



Panda 100W Ceiling light

Two new models with shade added to range.

Fanton presents the new FME brand Panda 100W ceiling lights. They are suitable for either wall or ceiling mounting. They are able to take either filament lamps (max. 100W) or energy-saving fluorescent lamps (max. PL25, 165 mm long with E27 connection). The new Panda 100W units feature an optional "eyelid" shade and come in round and oval versions. They are ideal for the provision of one or more lights inside or outside civil and industrial buildings.

CONTINUES >>>

Panda Ceiling Light

The new Panda 100W ceiling lights expand the offering of the popular 60 W range. Designed to be extremely versatile and to blend into any design scheme, they are produced in white, black and grey (grey is available for units without shade only).



Ceiling Light
Art. 62750
Shade
Art. 62755

Ceiling Light
Art. 62751
Shade
Art. 62756

Ceiling Light
Art. 62752

Ceiling Light
Art. 62740
Shade
Art. 62745

Ceiling Fixture
Art. 62741
Shade
Art. 62746

Ceiling Light
Art. 62742

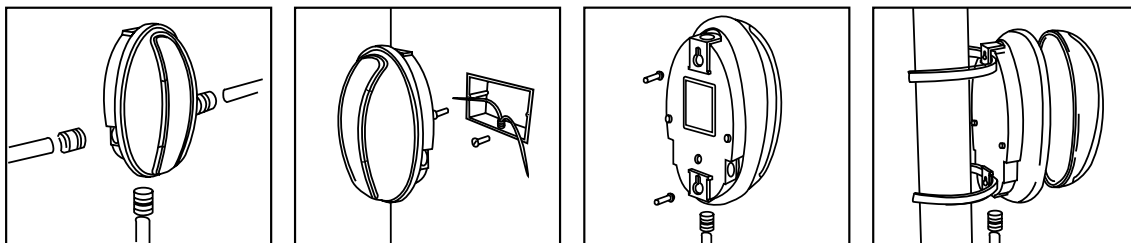
"Eyelid" shade

On Panda 100W units, a handy "eyelid" shade is available for mounting on the clear top. Quick and easy to fit, the shade allows the unit's lighting power to be used more effectively, by directing the beam of light to the required area. On wall mounted units, the shade can be turned through 180° to direct the light upward or downward.



Fixing

For completely versatile installation, both versions have 3 break-through cable entry points around the edges for PG9 or PG13.5 clamping cable glands (not supplied) and 1 entry on the bottom for a standard gland (supplied). Oval versions are designed for installation on rectangular mounting boxes (distance between holes 83.5 mm.). Both round and oval Panda ceiling lights can be installed on either ceilings or walls, using screws or band clamps.



Quick and easy

Easy to install, Panda 100W ceiling lights come complete with a user-friendly instruction sheet for quick, trouble-free installation. The whole process is made as simple as possible; for example, the top of the unit is not screwed on, but just lifts

off when the tip of a screwdriver is pressed gently into the hole provided. No tools are required to close the unit. Wiring the E27 lamp-holder is a tool-free operation: a quick-fitting system clamps the conductor in place once it is inserted in its hole. Units are supplied complete with seal, insulating sheath, cable-gland, diffusing screen, screws, lamp-holder and instruction sheet.



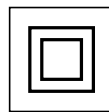
Quick, easy snap opening and closing system



Quick-wiring E27 lamp-holder. Metal diffusing screen.

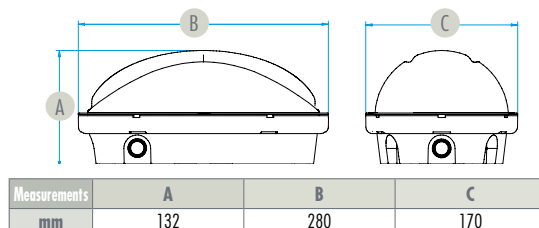
Safety first

With highly reflective metal diffusing screen and UV and heat-resistant thermoplastic mounting base, Panda 100W units have IP65 protection and grade II insulation. Manufactured to the EN 60598-1 and EN 60598-2-1 standards, they can also be installed on flammable surfaces since they are made from flame-retardant material, resistant to fire under the IEC 695-2-11 standard (Glow-Wire Test). The product's quality is also reflected by its high mechanical impact strength. The entire range is guaranteed by the ENEC quality mark and is in line with the RAEE and ROHS Directives.

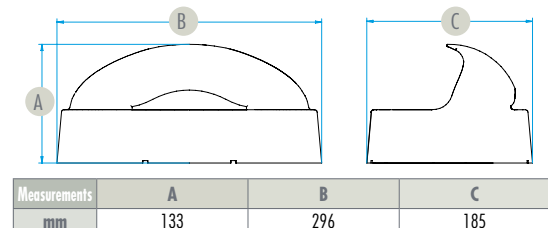


Dimensions

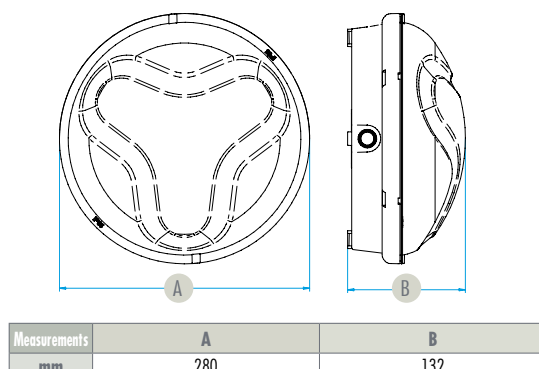
■ OVAL 100W PANDA CEILING LIGHTS



■ SHADE FOR OVAL 100W PANDA CEILING LIGHTS



■ ROUND 100W PANDA CEILING LIGHTS



■ SHADE FOR ROUND 100W PANDA LIGHTS

