

1x53W E27 HSGSA/C
250V~t_a25°C IP20

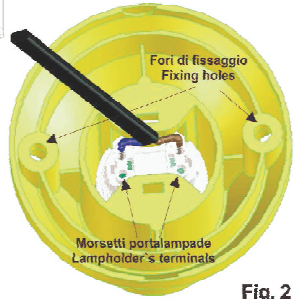
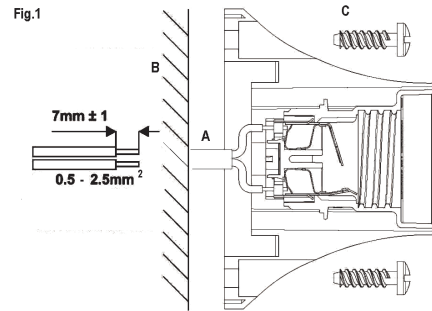


Fig. 2

IMT195 R00

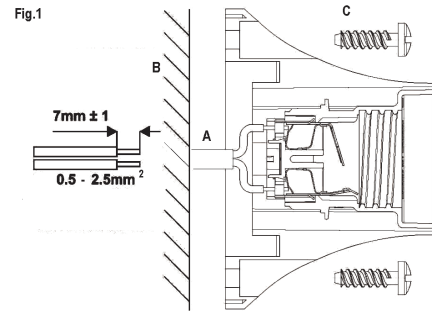


1x53W E27 HSGSA/C
250V~t_a25°C IP20



Fig. 2

IMT195 R00

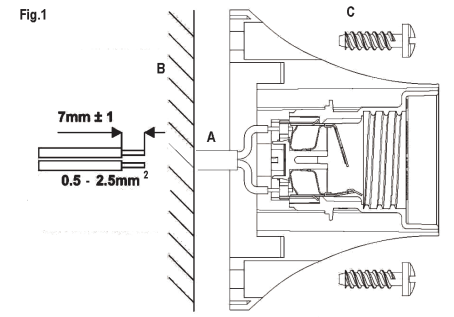


1x53W E27 HSGSA/C
250V~t_a25°C IP20



Fig. 2

IMT195 R00



1x53W E27 HSGSA/C
250V~t_a25°C IP20

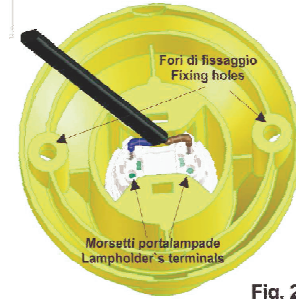
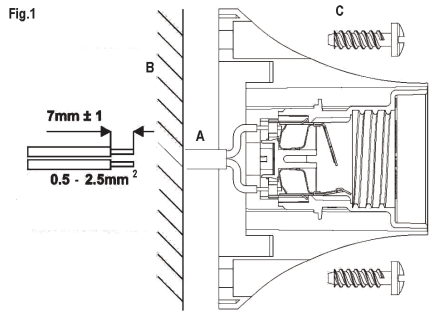


Fig. 2

IMT195 R00



1x53W E27 HSGSA/C
250V~t_a25°C IP20

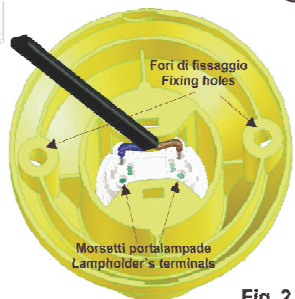
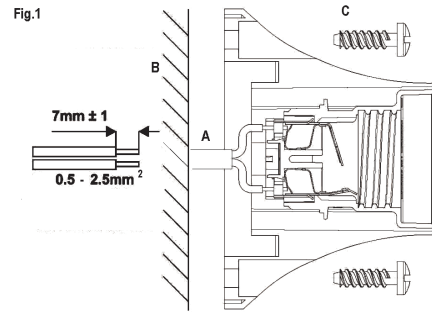


Fig. 2

IMT195 R00



1x53W E27 HSGSA/C
250V~t_a25°C IP20

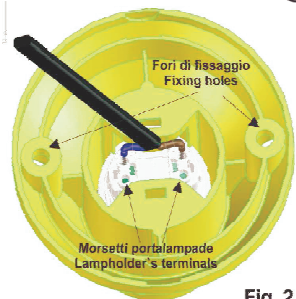
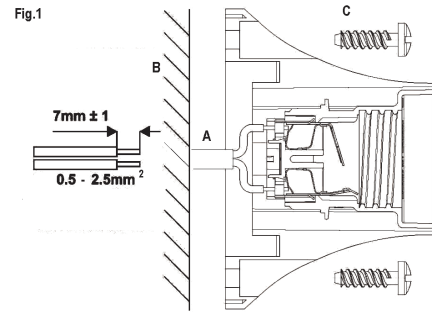


Fig. 2

IMT195 R00



1x53W E27 HSGSA/C
250V~t_a25°C IP20

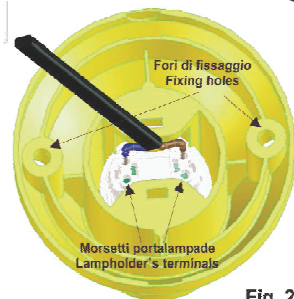
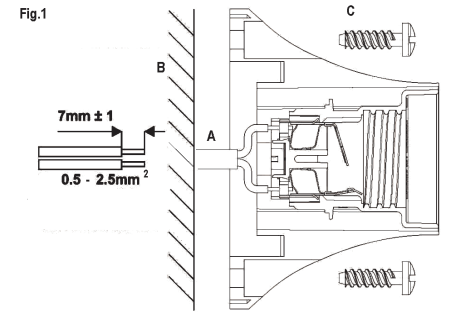


Fig. 2

IMT195 R00



1x53W E27 HSGSA/C
250V~t_a25°C IP20

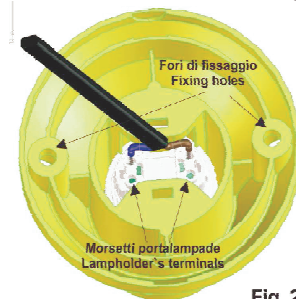


Fig. 2

IMT195 R00

